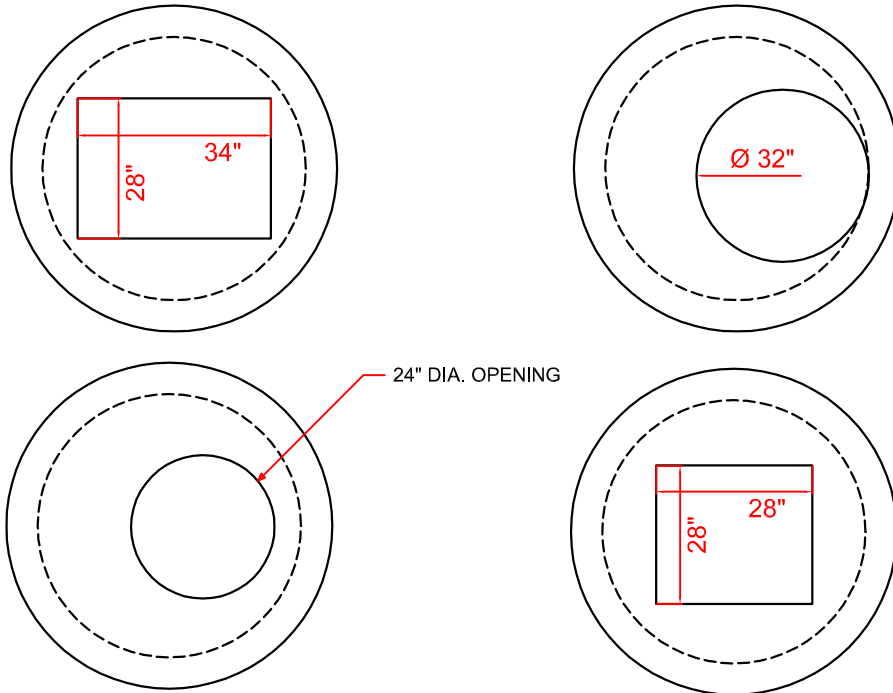
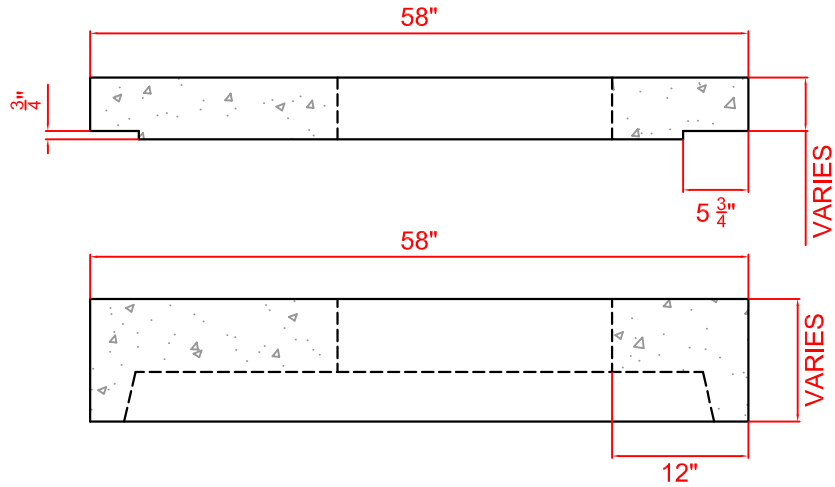


48" Diameter Flat Top

All material per ASTM C-478



Specifications:

Jarrett Concrete

PRODUCTS AND SUPPLY, INC.

2012 Highway 12 South
Ashland City TN 37015

Phone: 615.792.9332
Fax: 615.792.9071

jarrettconcreteproducts.com

Version: 2014-1

JCP Standard Drawing No. 7

48" Diameter Flat Top

Date: 9/24/2014

Drawn By: BB

Checked By: DSS, PE