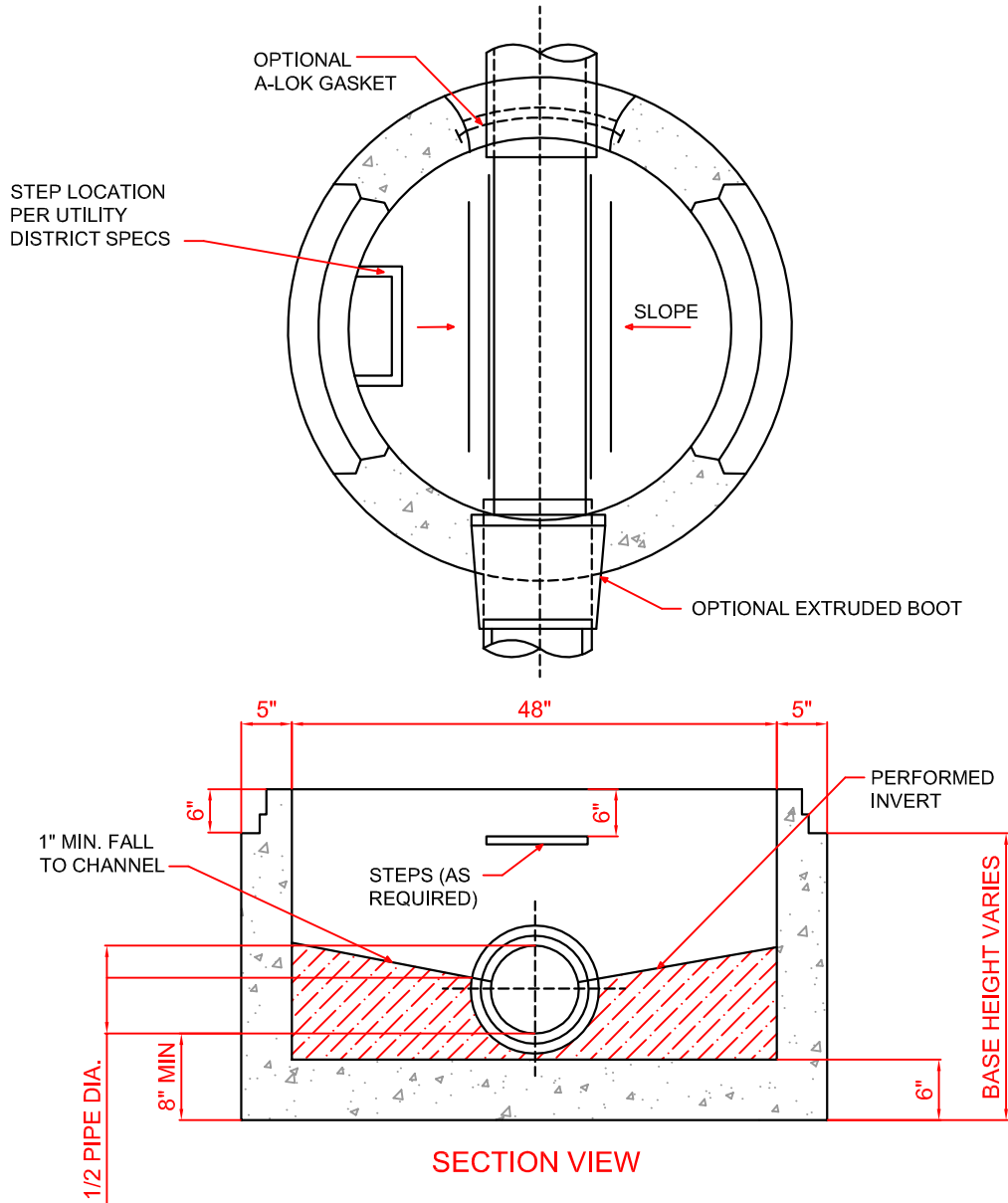


48" Diameter Developed Manhole Base

All material per ASTM C-478 & ASTM C-923. Shaped inverts as required by plans or municipality.



Specifications:

Jarrett Concrete

PRODUCTS AND SUPPLY, INC.

2012 Highway 12 South
Ashland City TN 37015

Phone: 615.792.9332
Fax: 615.792.9071

jarrettconcreteproducts.com

Version: 2014-1

JCP Standard Drawing No. 4

48" Diameter Developed Manhole Base

Date: 9/24/2014

Drawn By: BB

Checked By: DSS, PE