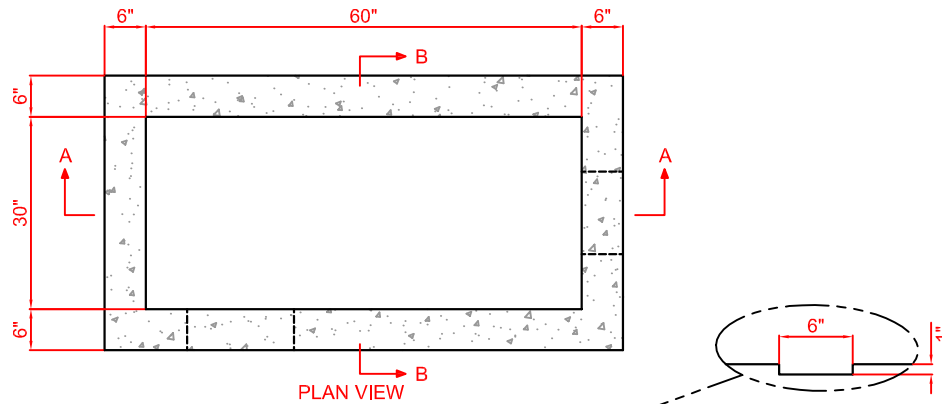
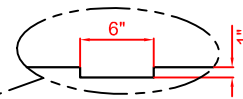


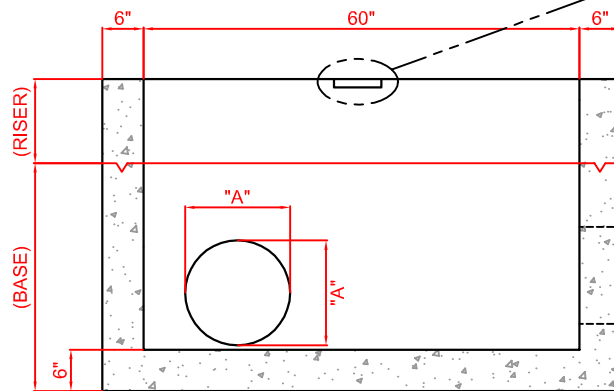
30" X 60" Double Catch Basin



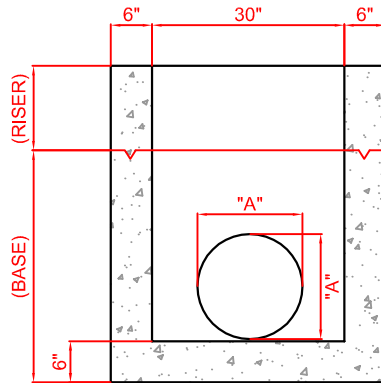
PLAN VIEW



LINTLE NOTCH
(BASE OR RISER)



SECTION A - A



SECTION B - B

Note:

1. Dimension "A" as required

Specifications:

Jarrett Concrete

PRODUCTS AND SUPPLY, INC.

2012 Highway 12 South
Ashland City TN 37015

Phone: 615.792.9332
Fax: 615.792.9071

jarrettconcreteproducts.com

Version: 2014-1

JCP Standard Drawing No. 2

30" X 60" Double Catch Basin

Date: 9/24/2014

Drawn By: BB

Checked By: DSS, PE