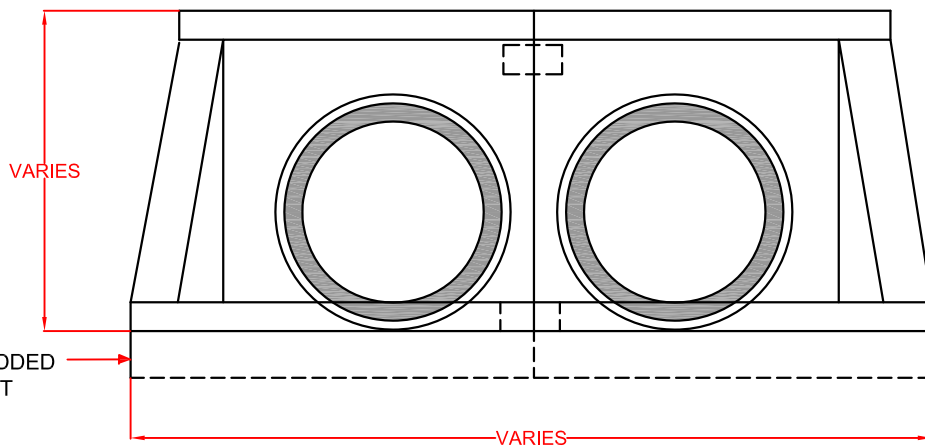
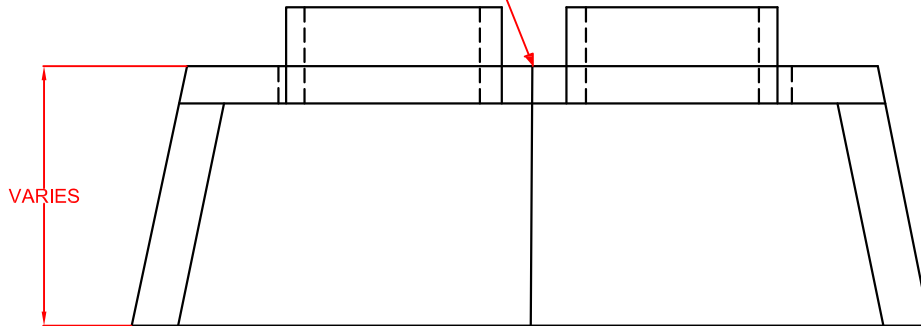


Double Wingwall

STEEL PLATE BOLTED
ON BACK SIDE



NOTES:

See standard wingwall detail for dimensions

Can be available with dissipaters blocks upon request

Specifications:

Jarrett Concrete

PRODUCTS AND SUPPLY, INC.

2012 Highway 12 South
Ashland City TN 37015

Phone: 615.792.9332
Fax: 615.792.9071

jarrettconcreteproducts.com

Version: 2014-1

Double Wingwall

Date: 9/24/2014

Drawn By: BB

Checked By: DSS, PE