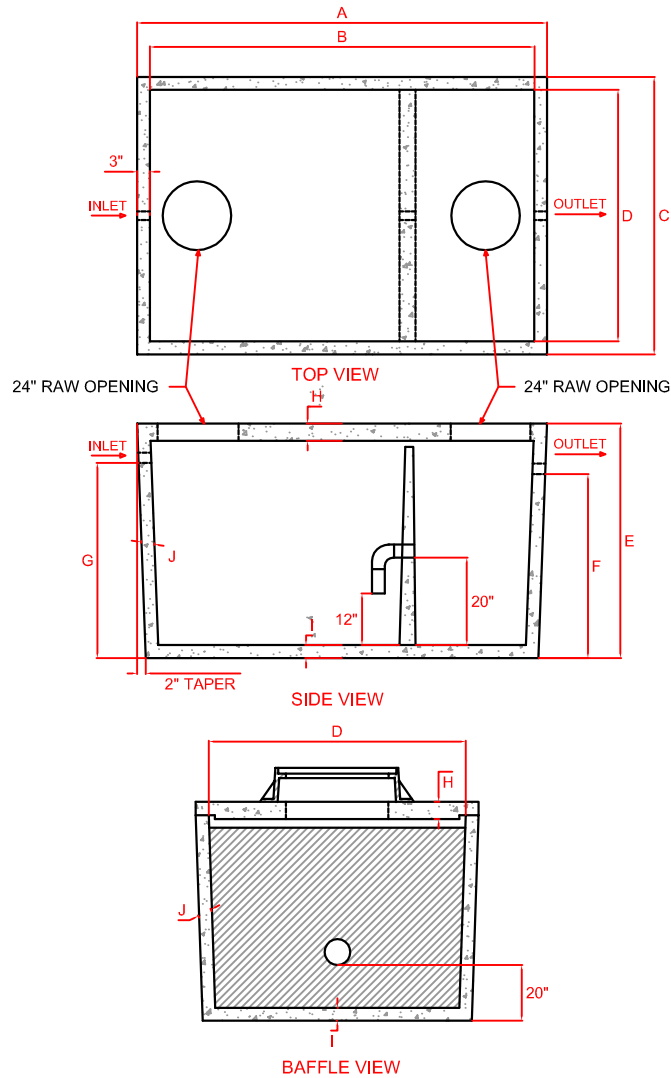


Grease Interceptor Tanks HS-20 Rated



| Tank Size (Gallons) | Weight (Lbs) | A (in) | B (in) | C (in) | D (in) | E (in) | F (in) | G (in) | H (in) | I (in) | J (in) |
|------------------------|-----------------|-----------|-----------|-----------|-----------|-----------|-----------|-----------|-----------|-----------|-----------|
| 1000 | 9,200 | 102 | 96 | 68 | 62 | 60 | 45 | 48 | 6 | 3 | 3 |
| 1500 | 12,880 | 152 | 146 | 68 | 65 | 60 | 45 | 48 | 6 | 5 | 3 |
| 2000 | 19,000 | 100 | 94 | 84 | 78 | 98 | 77 | 80 | 7.5 | 5 | 3 |
| 3000 | 31,000 | 151 | 145 | 84 | 78 | 98 | 77 | 80 | 7.5 | 5 | 3 |
| 4000 | 38,500 | 194 | 188 | 84 | 78 | 98 | 77 | 80 | 7.5 | 5 | 3 |
| 5000 | 45,000 | 244 | 238 | 84 | 78 | 98 | 77 | 80 | 7.5 | 5 | 3 |

Specifications:

1. REINFORCING - #4's 16" O.C. H&V
2. TOP OPENINGS - 24" DIAMETER
3. INLET - 4 OR 6" POLYLOK™ TYPE VI BOOT SEAL (PER ASTM C990)
4. OUTLET - 4 OR 6" POLYLOK™ TYPE VI BOOT SEAL (PER ASTM C990)
5. BAFFLE PIPE - 6" MIN. WITH 90 DEGREE DOWNWARD SWEEP

6. MINIMUM DEPTH OF LIQUID CAPACITY - 42"
7. ASTM C1613 COMPLIANT
8. CONCRETE - 5000 PSI MINIMUM
9. WATERTIGHT PER ASTM C1227
10. HS-20 TRAFFIC RATED
11. 2/3-1/3 COMPARTMENT CAPACITY

Jarrett Concrete
PRODUCTS AND SUPPLY, INC.

Ashland City - 615.792.9332
4012 Hwy. 415, 37015

2012 Highway 12 South
Ashland City TN 37015

Phone: 615.792.9332
Fax: 615.792.9071

jarrettconcreteproducts.com

Version: 2014-1

JCP Standard Drawing No. 11

Grease Interceptor Tanks HS-20 Rated

Date: 9/24/2014

Drawn By: BB

Checked By: DSS, PE