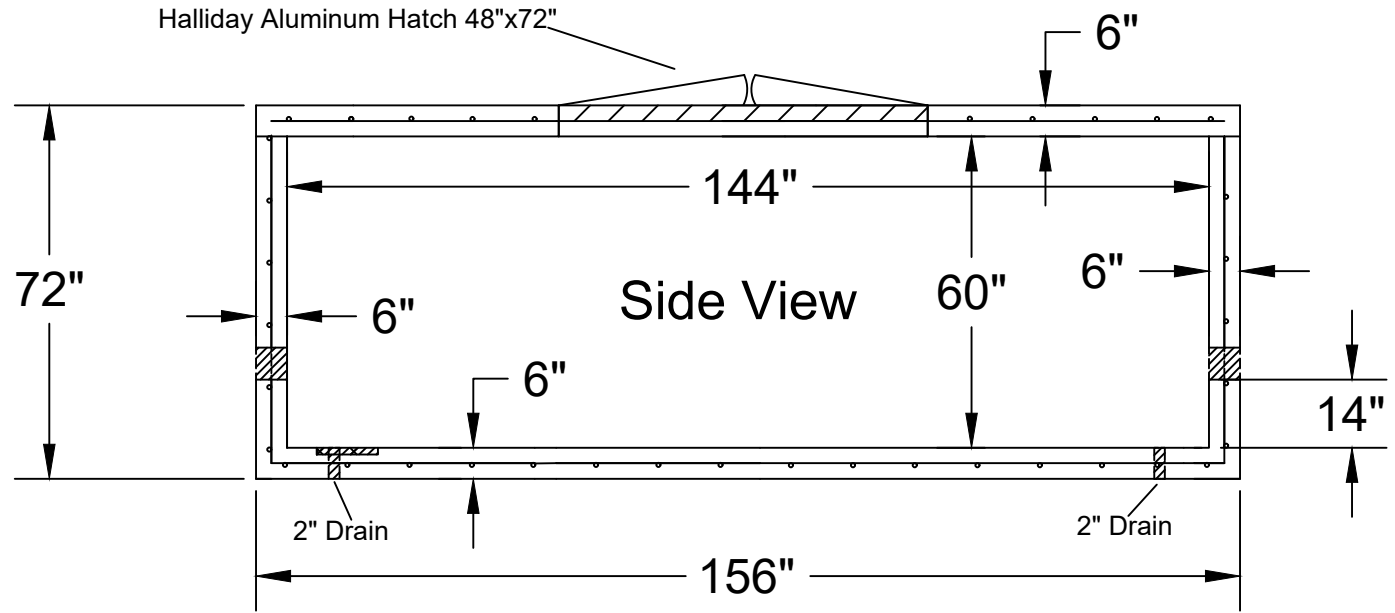
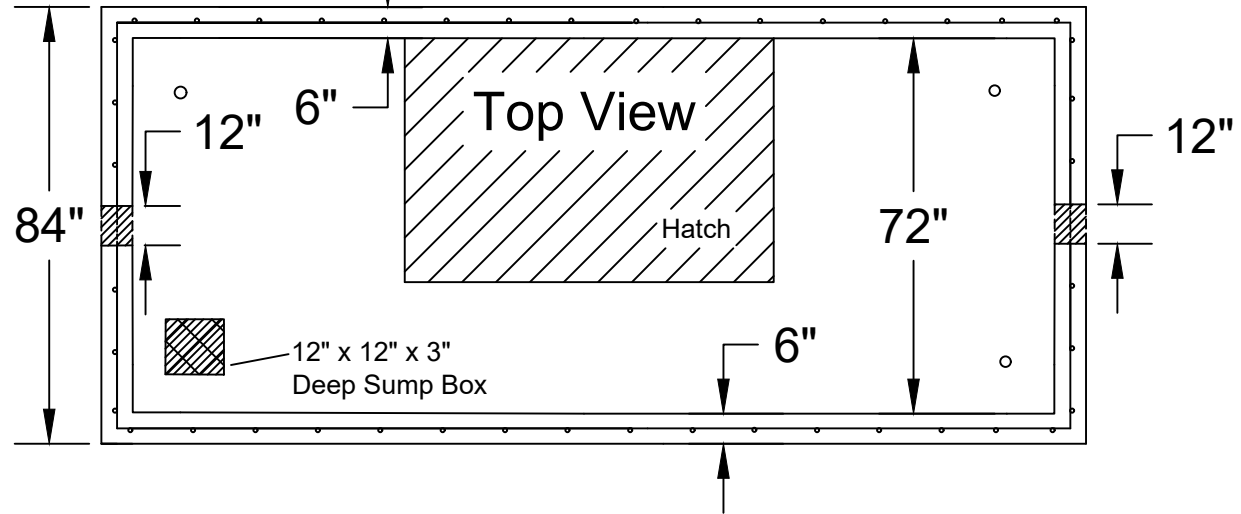




28 Day, 5,000 PSI Concrete
 #4 Rebar, Grade 60, 12" O/C
 Meets ATSM C923 & C990
 4" D.I.P - 10" D.I.P.
 Steps Centered to Hatch
 Print Not To Scale

Jarrett Concrete Products 615-792-9332
 2012 Hwy 12 South, Ashland City, TN 37015



12' x 6' Domestic Meter Box		
Date: 6-10-2019	Drawn By: L.Owen	Weight: 27,336 lbs

